

2011 | 2012

KITCHEN APPLIANCES



Glen Dimplex 
GROUP


think of everything


newWORLD®

Haier





THE CLASSIC COLLECTION

think of everything

“THE BELLING CLASSIC” OUR TRADITIONALLY STYLED CLASSIC COLLECTION HAS A CERTAIN CHARM THAT IS SIMPLY PERFECT FOR CREATING, OR COMPLIMENTING, AN AUTHENTIC KITCHEN. EACH RANGE COOKER HAS A CLASSIC LOOK AND HOUSES A WEALTH OF MODERN FEATURES INSIDE. SERIOUS COOKS WILL PARTICULARLY BENEFIT FROM THE TWO OVENS FEATURED IN THE 90CM MODELS; ONE OF WHICH HAS A VERY GENEROUS 76 LITRE CAPACITY. THIS FEATURE COMES IN HANDY WHEN YOU’RE COOKING FOR THE WHOLE FAMILY OR ENTERTAINING.



THE RICHMOND COLLECTION

think of everything

“THE BELLING RICHMOND COLLECTION GIVES THE COOK A RANGE COOKER THAT’S AS PLEASING TO THE EYE AS IT IS TO USE. EACH MODEL HAS UP TO THE MINUTE STYLING, NEAT AND CRISP LINES AND A DESIGNER EDGE THROUGHOUT. THE RICHMOND COLLECTION’S USER FRIENDLY FEATURES MAKE IT THE PERFECT CHOICE FOR THOSE WHO JUST LOVE TO COOK (AND SHOW OFF)”.





900MM CLASSIC RANGE COOKER (RRP €1399.95)

- 1 piece gas hob with 5 burners including 3.5KW Wok burner
- Enamelled Cast Iron Pot Supports
- Separate Variable Electric Grill
- 47 litre* programmable main fan.
- 76 litre* tall fan oven
- Internal oven lights
- Easy Clean Enamel interiors
- AA energy rating
- Dual Fuel models are factory fitted with Natural Gas jets. LPG (bottle gas) jets are supplied
- ALL ELECTRIC VERSION HAS A CERAMIC HOB WITH 5 ZONES

DUAL FUEL

- SILVER 900DFTSIL
- BLACK 900DFTBK
- CREAM 900DFTCRM

ELECTRIC

- SILVER 900ESIL
- BLACK 900EBK
- CREAM 900ECRM

* Refers to the usable capacity of the oven.



1100MM CLASSIC RANGE COOKER (RRP €1899.95)

- 1 piece gas hob with 7 burners including 3.5kw Wok burner
- Enamelled Cast Iron Pot Supports
- Separate Variable Electric Grill
- 59 litre* Conventional electric oven
- 59 litre* programmable main fan oven
- Storage Compartment
- Internal oven lights
- Easy Clean Enamel
- AA energy rating
- Dual Fuel models are factory fitted with Natural Gas jets. LPG (bottle gas) jets are supplied
- ALL ELECTRIC VERSION HAS A CERAMIC HOB WITH 7 ZONES

DUAL FUEL

- SILVER 1100DFTSIL
- BLACK 1100DFTBK
- CREAM 1100DFTCRM

ELECTRIC

- SILVER 1100ESIL
- BLACK 1100EBK
- CREAM 1100ECRM

* Refers to the usable capacity of the oven.



900MM RICHMOND RANGE COOKER (RRP €1699.95)

- 1 piece gas hob with 5 burners including 3.5kw wok burner.
- Cast iron pot supports & removable griddle plate
- Separate dual circuit electric grill & conventional electric oven with telescopic shelves
- 47 litre* Programmable Multifunction oven with telescopic shelves
- 76 litre* tall fan oven
- Internal oven lights
- Easy Clean Enamel
- AA energy rating
- Dual Fuel models are factory fitted with Natural Gas jets. LPG (bottle gas) jets are supplied
- ALL ELECTRIC VERSION HAS A CERAMIC HOB WITH 2 INDUCTION, 2 CERAMIC ZONES & WARMING AREA.

DUAL FUEL

- BLACK R90DFBKNG

ELECTRIC

- BLACK R90EBK

* Refers to the usable capacity of the oven.



1100MM RICHMOND RANGE COOKER (RRP €2199.95)

- 1 piece gas hob with 7 burners including 3.5kw Wok burner
- Cast Iron Pot Supports & removable griddle plate
- Separate dual circuit electric grill & conventional electric oven with telescopic shelves
- 59 litre* Conventional electric oven with telescopic shelves
- 59 litre* programmable main fan oven with telescopic shelves
- 39 litre* slow cook oven
- Internal oven lights
- Easy Clean Enamel
- AA energy rating
- Dual Fuel models are factory fitted with Natural Gas jets. LPG (bottle gas) jets are supplied

DUAL FUEL

- BLACK R1100DFBKNG

* Refers to the usable capacity of the oven.



BELLING

BUILT-IN OVENS AND HOBS



think of everything

SINGLE FAN OVEN

BI60F (RRP €279.95)



Variable electric grill
Fanned main oven
Light
2 oven shelves
5 shelf positions
Mechanical minute minder
Easy clean enamel
Removeable inner glass doors

■ **STAINLESS STEEL** BI60FSS
□ **WHITE** BI60FWH
■ **BLACK** BI60FBLK

SINGLE FAN OVEN

BI60FP (RRP €299.95)



Variable Electric Grill
Fanned main Oven
Light
2 Oven Shelves
5 Shelf Positions
Fully Programmable Timer
Easy Clean Enamel
Removeable Inner glass door

■ **STAINLESS STEEL** BI60FPSS
■ **BLACK** BI60FPBLK

SINGLE MULTIFUNCTION OVEN

BI60MF (RRP €369.95)



9 stage multifunction oven
Rear light
2 oven shelves
5 shelf positions
Fully programmable timer
Easy clean enamel
Removeable inner glass doors

■ **STAINLESS STEEL** BI60MFSS
□ **WHITE** BI60MFWH
■ **BLACK** BI60MFBLK

BUILT-IN DOUBLE OVEN

BI90F (RRP €499.95)



Top oven with variable electric grill
Fanned main oven
Light
2 oven shelves
5 shelf positions
Digital minute minder
Easy clean enamel
Removeable inner glass doors

■ **STAINLESS STEEL** BI90FPSS

BUILT-IN DOUBLE OVEN

BI90FP (RRP €549.95)



Top oven with variable electric grill
Fanned main oven
Light
2 oven shelves
5 shelf positions
Fully programmable timer
Easy clean enamel
Removeable inner glass doors

■ **STAINLESS STEEL** BI90FPSS
□ **WHITE** BI90FPWH
■ **BLACK** BI90FPBLK

BUILT-IN DOUBLE MULTIFUNCTION OVEN

BI90MF (RRP €649.95)



Top oven with variable electric grill
9 stage multifunction oven
Light
2 oven shelves
5 shelf positions
Fully programmable timer
Removeable inner glass doors

■ **STAINLESS STEEL** BI90MFSS
□ **WHITE** BI90MFWH
■ **BLACK** BI90MFBLK

BUILT UNDER DOUBLE OVEN

BI70FP (RRP €599.95)



Top oven with variable electric grill
Fanned main oven
Light
2 oven shelves
5 shelf positions
Fully programmable timer
Easy clean enamel
Removeable inner glass doors

■ **STAINLESS STEEL** BI70FPSS
□ **WHITE** BI70FPWH
■ **BLACK** BI70FPBLK



BUILT-IN MICROWAVE WITH GRILL

MW60G (RRP €249.95)



■ **STAINLESS STEEL** MW60G

Fully built-in
Push button controls
Blue digital display
30 litre capacity
5 microwave power levels
1 grill power option
3 combination options
6 auto cooking options
Defrost function
Clock/programmer
Child lock



newworld®

Built in Gas Cooking



NEWORLD 600MM SINGLE GAS OVEN WITH ELECTRIC GRILL NW60

Natural Gas Only

- LED minute minder clock
- Drop down oven door with removeable glass
- Oven light
- Wipe clean interior
- 12 months parts and labour warranty

■ STAINLESS STEEL NW60GSSNG

(RRP €549.95)



NEWORLD 700MM BUILT-UNDER TWIN CAVITY GAS OVEN NW70 UNDER COUNTER

Natural Gas Only

- 60 litre conventional main oven
- Variable sola gas grill in top cavity
- LED minute minder/clock
- Drop down oven door with removeable glass
- Oven light
- Wipe clean interior
- 12 months parts and labour warranty

■ STAINLESS STEEL NW70GSSNG

(RRP €699.95)



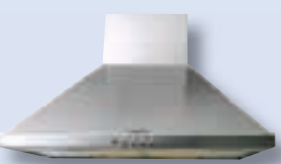
NEWORLD 900MM BUILT-IN TWIN CAVITY GAS OVEN NW90 EYE LEVEL

Natural Gas Only

- 70 litre conventional main oven
- Variable sola gas grill in top cavity
- LED minute minder/clock
- Drop down oven door with removeable glass
- Oven light
- Wipe clean interior
- 12 months parts and labour warranty

■ STAINLESS STEEL NW90GSSNG

(RRP €699.95)



CHIMNEY COOKER HOOD

- 3 speed motor
- 2 lights
- Washable filters
- Extraction rate 480m3h max
- Sizes: 600mm (RRP €129.95)
- 700mm (RRP €249.95)
- 900mm (RRP €299.95)
- 1100mm (RRP €449.95)

■ STAINLESS STEEL CHIM600STA, CHIM700STA, CHIM900STA, CHIM1100STA

■ BLACK CHIM600BLK, CHIM700BLK, CHIM900BLK, CHIM1100BLK



600MM CERAMIC HOB CRS60MK5

- 4 fastlite elements
- Frameless design
- Side controls

■ BLACK CRS60MK5

(RRP €249.95)



600MM TOUCH CONTROL INDUCTION HOB IH60

- 4 induction elements
- 9 power levels
- Power boost function
- Touch control
- Safety shutdown
- Pan detection
- Overheat pan protection
- Hob hot indicators
- Child lock

■ BLACK IH60

(RRP €449.95)



600MM 4 RING GAS HOB GHU60

- 4 gas burners including 1 large, 2 medium, 1 simmer
- Cast iron pan supports
- Auto ignition
- Front controls
- Flame failure device
- Available in both natural gas and LPG

■ STAINLESS STEEL GHU60GCMK2SS

■ STAINLESS STEEL (LPG) GHU60GCMK2SSLPG

■ BLACK GHU60GCMK2BLK

■ BLACK (LPG) GHU60GCMK2BLKLPG

(RRP €219.95)

(RRP €199.95)



600MM TOUCH CONTROL CERAMIC HOB CTC60

- 4 fastlite elements
- Timer function on one element
- Child safety lock, Frameless design with bevelled edge

■ BLACK CTC60

(RRP €299.95)



700MM TOUCH CONTROL CERAMIC HOB CTC70

- Touch control
- 5 fastlite elements
- Timer function on all elements
- Child safety lock
- Frameless design with bevelled edges

■ BLACK CTC70

(RRP €399.95)



700MM 5 RING GAS HOB GHU70

- 5 gas burners including 1 wok, 1 large, 2 medium, 1 simmer
- Cast iron pan supports
- Auto ignition
- Front controls
- Flame failure device
- Available in both natural gas and LPG

■ STAINLESS STEEL GHU70GCMK2SS

■ STAINLESS STEEL (LPG) GHU70GCMK2SSLPG

■ BLACK GHU70GCMK2BLK

■ BLACK (LPG) GHU70GCMK2BLKLPG

(RRP €319.95)

(RRP €299.95)

FREESTANDING

ELECTRIC AND GAS COOKERS



think of everything

newWORLD®



ALL BELLING PRODUCTS FEATURE THE GLEN DIMPLEX 2 YEAR PARTS AND LABOUR WARRANTY



500MM FREESTANDING COOKER

NW50

- 4 solid plates
- Large main oven
- Glass door
- Oven rating A

WHITE NW50



(RRP €209.95)



500MM FREESTANDING COOKER

ET50W

- 4 solid plates
- Large main oven
- Separate Grill
- Glass doors
- Oven rating A

WHITE ET50W



(RRP €289.95)



500MM FREESTANDING COOKER

335

- 4 solid plates
- Large main oven
- Separate grill
- Glass doors
- C rating

SILVER 335SI

WHITE 335WH

ANTHRACITE 335AN

(RRP €369.95)



500MM FREESTANDING COOKER

358

- 4 zone ceramic hob
- Large main oven
- Separate grill
- Glass doors
- C rating

BLACK 358AN

(RRP €529.95)



550MM NEW WORLD FREESTANDING GAS COOKER

Available in Natural Gas and LPG

- 4 gas burners including a powerful rapid burner
- Twin cavity with glass viewing windows
- Top cavity sola gas grill
- Conventional gas oven
- Wipe clean enamel interior
- Safety cut off
- Push button ignition

BLACK 55TWLGBKNG

BLACK 55TWLGBKLPG

(RRP €549.95)



600MM FREESTANDING NATURAL GAS COOKER

FSG60

- 4 gas burners
- Flame safety device
- Enamel pan supports
- Variable gas grill
- Gas main oven

STAINLESS STEEL FSG60TGSS

BLACK FSG60TGBLK

(RRP €619.95)



600MM FREESTANDING COOKER FSE60DO

- Top oven with variable grill
- Fanned main oven
- Defrost function
- Light in main oven
- 2 oven shelves, 5 positions
- Easy clean enamel
- Removable inner door glass
- 4 fastlite ceramic elements

STAINLESS STEEL FSE60DOSS

BLACK FSE60DOBLK

(RRP €549.95)



600MM FREESTANDING COOKER

FSE60DOP

- Top oven with variable grill
- Fanned main oven
- Defrost function
- Light in main oven
- 2 oven shelves, 5 positions
- Fully programmable timer
- Easy clean enamel
- Removable inner door glass
- 4 fastlite ceramic elements

STAINLESS STEEL FSE60DOPSS

WHITE FSE60DOPWH

BLACK FSE60DOPBLK

(RRP €599.95)



600MM FREESTANDING COOKER

FSE60MF

- Top oven with variable grill
- 9 stage multifunction oven
- Defrost function
- Light in main oven
- 2 oven shelves, 5 positions
- Fully programmable timer
- Easy clean enamel
- Removable inner door glass
- 4 fastlite ceramic elements

STAINLESS STEEL FSE60MFSS

BLACK FSE60MFBLK

(RRP €669.95)

INTEGRATED fridges, freezers and dishwashers from Belling give your kitchen a clean uncluttered look without any compromise on functions.

BELLING

INTEGRATED REFRIGERATION



think of everything

ALL BELLING PRODUCTS FEATURE THE GLEN DIMPLEX 2 YEAR PARTS AND LABOUR WARRANTY



FROSTFREE INTEGRATED FRIDGE FREEZER BIFF217
50/50 split
Chrome wine rack
Glass shelves
4 clear freezer baskets
Reversible doors
A energy rated
(RRP €499.95)



FROSTFREE INTEGRATED FRIDGE FREEZER BIFF233
70/30 split
Chrome wine rack
Glass shelves
3 clear freezer baskets
Reversible doors
A energy rated
(RRP €499.95)



FROSTFREE INTEGRATED LARDER FRIDGE 177cm BIL316
1770mm high
5 glass shelves
Wine rack
A energy rated
(RRP €599.95)



FULLY INTEGRATED DISHWASHER IDW704
12 place settings
6 temperatures
8 programmes
Rackomatic top shelf
35 min short wash
AAA energy rated
(RRP €399.95)



FULLY INTEGRATED SLIMLINE DISHWASHER IDW450
8 place setting
3 temperatures
3 programmes
Concealed element
53dba max noise level
A energy rated
(RRP €349.95)



INTEGRATED UNDERCOUNTER LARDER FRIDGE BE813
128 litres
Salad/vegetable crisper
3 glass shelves
Automatic defrost
Dairy compartment
A energy rated
(RRP €349.95)



INTEGRATED UNDERCOUNTER FREEZER BE814
Net capacity 87 litres
3 pull-out baskets
A energy rating
(RRP €349.95)

BELLING

FREESTANDING REFRIGERATION

belling[®]
think of everything

SAVE ENERGY
BUY A+

A+ rated appliances use up to 25% less energy than equivalent A rated appliances



ALL BELLING PRODUCTS FEATURE THE GLEN DIMPLEX 2 YEAR PARTS AND LABOUR WARRANTY

UNDERCOUNTER REFRIGERATION



540MM UNDERCOUNTER FRIDGE BR105

4* ice box
3 glass shelves
Reversible doors with handle
A+ energy rated

WHITE BR105WH

(RRP €199.95)



540MM UNDERCOUNTER LARDER FRIDGE BL130

4 glass shelves
Reversible doors with handle
A+ energy rated
Match for BFZ90

WHITE BL130WH

(RRP €219.95)



540MM UNDERCOUNTER FREEZER BFZ90

3 drawers
Reversible doors with handle
A+ energy rated
Match for BL130

WHITE BFZ90WH

(RRP €229.95)

LARDER FRIDGES AND FREEZERS



540MM LARDER FRIDGE BL250

1440mm high
250 litres
5 glass shelves
Chrome wine rack
A+ energy rated
Match for BFZ180

WHITE BL250WH
 SILVER BL250SIL
 BLACK BL250BLK

(RRP €299.95)

(RRP €329.95)



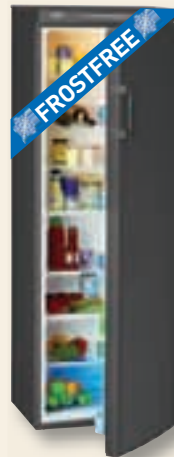
540MM FREEZER BFZ180

1440mm high
180 litres
6 drawers
Chrome wine rack
4* freezer
A energy rated
Match for BL250

WHITE BFZ180WH
 SILVER BFZ180SIL
 BLACK BFZ180BLK

(RRP €299.95)

(RRP €329.95)



600MM LARDER FRIDGE BL325

1750 high
325 litres
6 glass shelves
Chrome wine rack
A+ energy rated
Match for BFZ230

WHITE BL325WH
 SILVER BL325SIL
 BLACK BL325BK

(RRP €399.95)

(RRP €429.95)



600MM LARDER FREEZER BFZ230

1750 high
230 litres
7 drawers
A+ energy rated
Match for BL325

WHITE BFZ230WH
 SILVER BFZ230SIL
 BLACK BFZ230BK

(RRP €399.95)

(RRP €429.95)

FRIDGE FREEZERS



540MM COMBI FRIDGE FREEZER BFF210

1440mm high
210 litres
3 glass shelves
Chrome wine rack
4* freezer
A+ energy rated

WHITE BFF210WH
 BLACK BFF210BLK

(RRP €299.95)

(RRP €329.95)



540MM FRIDGE FREEZER BFF255

1800mm high
255 litres
Glass shelves
Wine rack
Reversible doors
4* freezer
A+ energy rated

WHITE BFF255WH
 BLACK BFF255BLK

(RRP €399.95)

(RRP €429.95)



605MM FRIDGE FREEZER BFF240

1750mm high
240 litres
3 glass shelves
Chrome wine rack
Reversible doors
4* freezer
A+ energy rated

WHITE BFF240WH
 BLACK BFF240BLK

(RRP €399.95)

(RRP €429.95)

ALL HAIER PRODUCTS FEATURE THE GLEN DIMPLEX 2 YEAR PARTS AND LABOUR WARRANTY



500MM UNDERCOUNTER FRIDGE HRN153

4* ice box
2 glass shelves
A rated
 WHITE HRN153WH

(RRP €159.95)



500MM UNDERCOUNTER LARDER FRIDGE HRN163

3 glass shelves
A rated
 WHITE HRN163WH

(RRP €169.95)



500MM UNDERCOUNTER FREEZER HFN113

4* freezer
4 baskets
A rated
 WHITE HFN113WH

(RRP €179.95)



540MM UNDERCOUNTER FRIDGE HRN176

4* ice box
2 glass shelves
Available in white
A rated
 WHITE HRN176WH

(RRP €179.95)



540MM UNDERCOUNTER LARDER FRIDGE HRN186

3 glass shelves
A rated
 WHITE HRN186WH

(RRP €189.95)



540MM UNDERCOUNTER FREEZER HFN136

4* freezer
3 large baskets
A rated
 WHITE HFN136WH

(RRP €199.95)

500MM FREESTANDING FRIDGE FREEZER HRF222

1580mm high
183 litre
50/50 split
Glass shelves
3 freezer baskets
A rated

WHITE HRF222

(RRP €279.95)



WASHING MACHINE HW501002W

11 programme electronic washing machine
5kg load
1000 spin
32cm wide opening door
A Class energy performance
A Class wash performance
 WHITE HW501002W

(RRP €249.95)



DISHWASHER DW12PFEI

5 programme electronic dishwasher
12 place dishwasher
LED indicators
52dba
AAB energy rating
 WHITE DWPFEIWH

(RRP €249.95)

CHEST FREEZERS

FREESTANDING REFRIGERATION

ALL PRODUCTS FEATURE A 2 YEAR PARTS AND LABOUR WARRANTY



belling[®]
think of everything

ENERGY EFFICIENT CHEST FREEZERS

98 LITRE AND 197 LITRE MODELS SHOWN

External handle with lock

Front defrost

Baskets

A+ energy rated

- WHITE BCF10 (98 LITRES) (RRP €199.95)**

546mm wide, 855mm high, 595mm deep

- WHITE BCF15 (149 LITRES) (RRP €269.95)**

735mm wide, 855mm high, 595mm deep

- WHITE BCF20 (197 LITRES) (RRP €299.95)**

895mm wide, 855mm high, 595mm deep

- WHITE BCF28 (283 LITRES) (RRP €399.95)**

1035mm wide, 845mm high, 720mm deep

- WHITE BCF37 (268 LITRES) (RRP €499.95)**

1275mm wide, 845mm high, 720mm deep

(depth excludes handle - additional 40mm)



Haier

ENERGY EFFICIENT CHEST FREEZERS

100 LITRE AND 200 LITRE MODELS SHOWN

Front defrost

Baskets

A+ energy rated

- WHITE BD103AA (100 LITRES) (RRP €179.95)**

540mm wide, 850mm high, 560mm deep

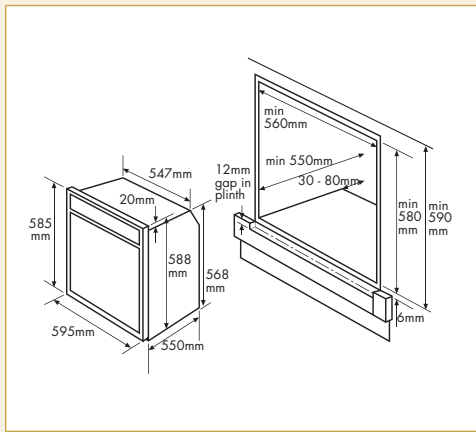
- WHITE BD143AA (149 LITRES) (RRP €229.95)**

720mm wide, 850mm high, 560mm deep

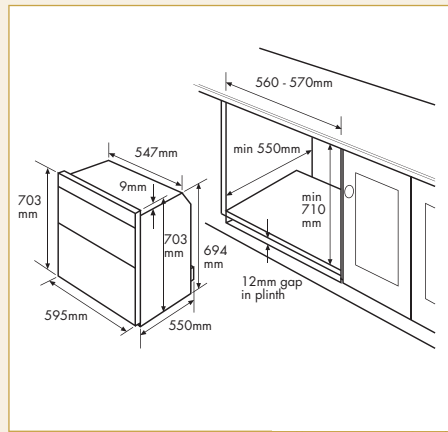
- WHITE BD203AA (200 LITRES) (RRP €259.95)**

940mm wide, 850mm high, 560mm deep

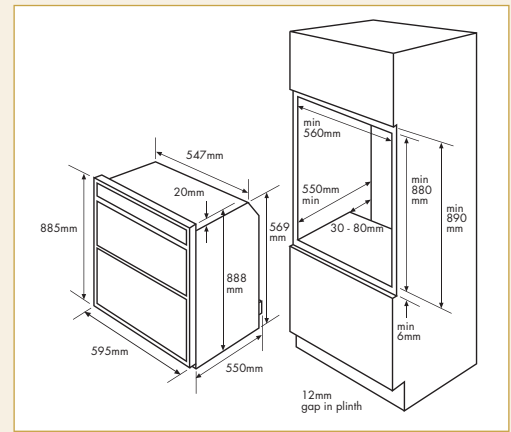




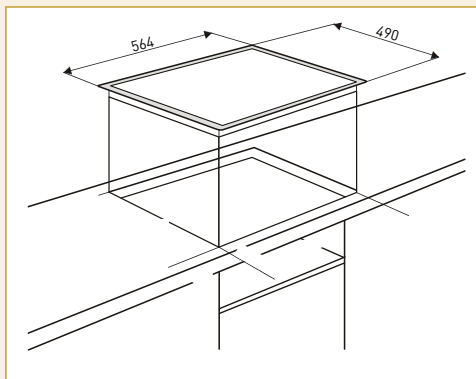
BUILT-IN SINGLE OVENS
BI60F/BI60FP/BI60MF/NW60



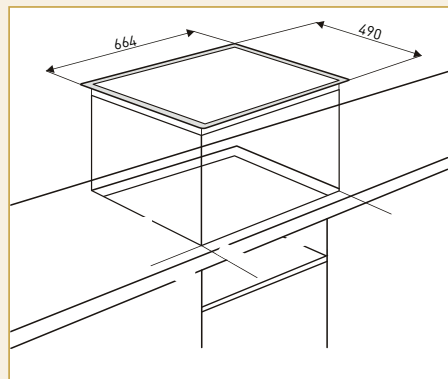
BUILT-UNDER DOUBLE OVENS
BI70/NW70



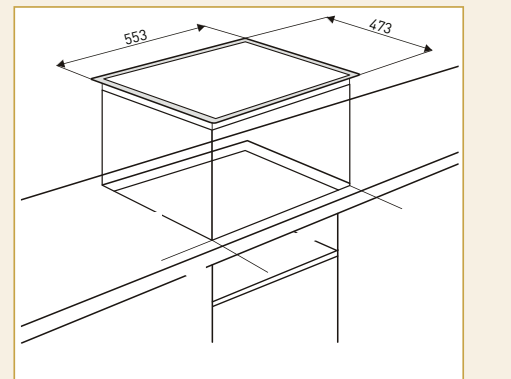
BUILT-IN DOUBLE OVENS
BI90F/BI90FP/BI90MF/NW90



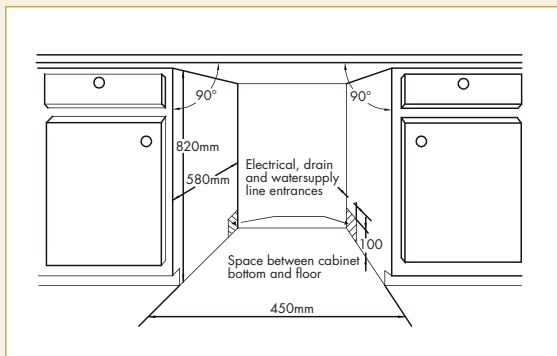
BUILT-IN HOB
CRS60MK5/IH60/CTC60



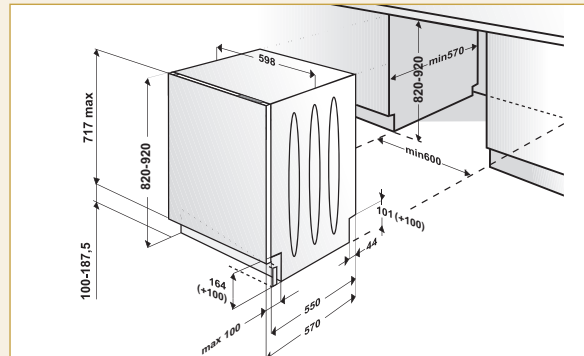
BUILT-IN HOB
CTC70



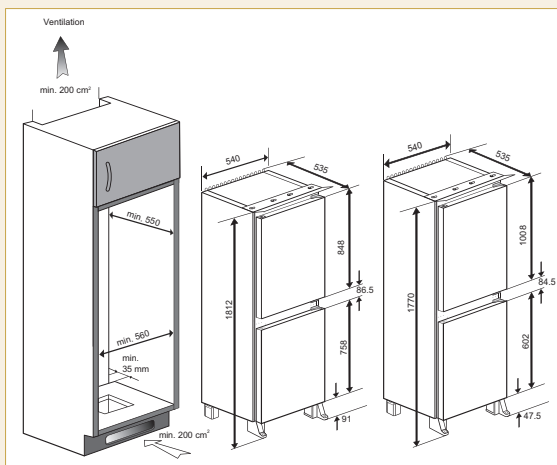
BUILT-IN HOB
GHU60/GHU70



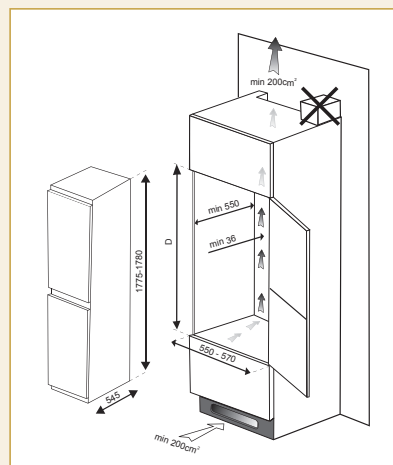
BUILT-IN DISHWASHER
IDW450



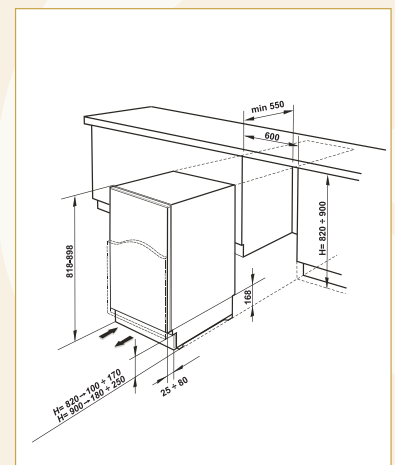
BUILT-IN DISHWASHER
IDW704



BUILT-IN FRIDGE FREEZERS
BIFF217 / BIFF233



BUILT-IN FRIDGES
BIL316



BUILT-IN FRIDGE AND FREEZER
BE813 BE814

COOKING FUNCTIONS EXPLAINED



MULTIFUNCTION OVEN

Multifunction ovens are the cook's choice and give your oven the versatility for many different types of cooking.



BASE FAN

Ideal for dishes that require bottom heat, such as pizzas.



BOTTOM HEAT ONLY

This setting allows you to cook the bottom of pizza, flan or pastries without drying out the topping.



CONVENTIONAL GRILL

The conventional grills cooks by using heat from above the food and is ideal for a range of foods from toast to steak.



CONVENTIONAL OVEN (ELECTRIC)

A conventional oven works on the principle that heat rises. It is hotter at the top than at the bottom - ideal for cooking different dishes simultaneously.



CONVENTIONAL OVEN (GAS)

Heat rises from the burner at the rear of the oven base. This creates zones of heat where the oven is cooler at the bottom and hotter at the top.



DUAL GRILL

This feature allows you to use the whole of the grill or just part of it for grilling smaller quantities economically.



FAN DEFROST

The oven assists defrosting by circulating air around the food. Ideal for delicate frozen foods such as cream gateaux and cheesecakes.



FAN GRILLING

The fan circulates heat from the oven grill around the food, simultaneously browning and sealing the juices in. Economical rotisserie or spit effect.



FAN OVEN

The heating element surrounds a fan which distributes hot air around the oven. The result is a more even temperature throughout the oven and much faster cooking - ideal for batch baking.



INTENSIVE BAKE

The oven is heated by top and bottom elements and the fan mounted in the back panel helps to distribute heat throughout the oven. Suitable for perfect pastry, no need to blind bake.



OVEN LIGHT

A light in the oven.



TOP HEAT ONLY

Ideal for browning foods such as rice pudding or cauliflower cheese as the heat is not as fierce as a grill.



PRISTINE ENAMEL

Some of the new Belling ovens feature this unique enamel finish. Following extensive tests involving a variety of ovens, Pristine enamel proved to be three times easier to clean than standard enamel. Because the structure of the enamel is more compact, the absorption of food residue is greatly reduced making it possible to just wipe it clean. In addition Pristine's unique formulation also offers inherent antibacterial qualities. We've even Pristine coated our roasting tray and grill pan and it's dishwasher safe!

GlenDimplex
GROUP

INNOVATION and DESIGN make the difference between great brands and mediocre brands. At Glen Dimplex we ensure our brands remain great brands.



FOR FURTHER INFORMATION

Phone: 01-8424277 email: sales@dimpco.ie

web: www.dimpco.ie

Dimpco operates a continual improvement policy. Therefore we reserve the right to change the specifications for any product without notice. All dimensions are approximate and images are for illustration purposes only.

This brochure has been designed and printed in Ireland.

DEALER